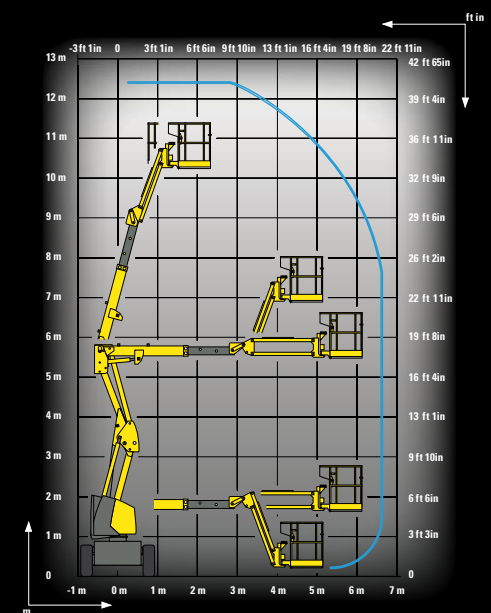




- Optimal productivity**
- Up to 4 simultaneous and proportional movements
  - Large platform of 1,50m

- Excellent manoeuvrability in the tightest spaces**
- Narrow turning radius
  - Zero tailswing

- Outstanding rough terrain driving features**
- 4 wheel drive
  - Differential wheel lock
  - Ground clearance of 26 cm / 11 in



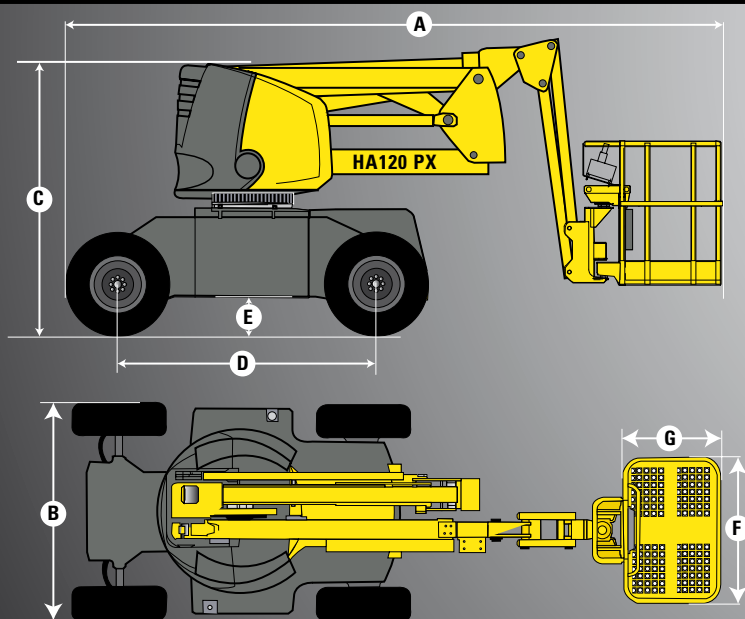
[www.haulotte.com](http://www.haulotte.com)

**Haulotte**   
GROUP

Experience in innovation

# HA120 PX

Rough terrain articulating booms



## TECHNICAL DATAS

## HA120 PX

Working height	12,4 m / 40 ft 8 in
Platform height	10,4 m / 34 ft 1 in
Horizontal outreach	6,6 m / 21 ft 8 in
Up and over clearance	5,7 m / 18 ft 8 in
Lift capacity	230 kg / 507 lb
F x G - Platform size	1,5 x 0,8 m / 4 ft 11 in x 2 ft 7 in
A - Length	5,5 m / 18 ft 1 in
B - Width	1,9 m / 6 ft 3 in
C - Height - stowed	2,2 m / 7 ft 3 in
Vertical jib rotation	140° (+70/-70)
Platform rotation	180° (+90/-90)
Turntable rotation	350 °
Tailswing	0
D - Wheelbase	1,92 m / 6 ft 4 in
E - Ground clearance	26 cm / 11 in
Tilt	5 °
Drive speed	0,7 - 5 km/h / 0,4 mph - 3,1 mph
Gradeability	45%
Turning radius - outside	3,85 m / 12 ft 8 in
Tires - foam-filled	10,5/80-18/10
Engine	21 kW - 28,5 hp
Weight	5620 kg / 12,392 lb

## STANDARD EQUIPMENT

- Simultaneous and proportional movements for optimal productivity
- 4 wheel drive
- Ergonomic control panel
- Safe to use in winds up to 45km/h / 28mph
- Tilt controller
- Load Managing System in the platform
- Automatic platform levelling
- 12V - 95A starting battery
- Towing hooks and lifting eyes
- Free wheeling device
- Mechanical turret slewing hook
- Emergency hand pump
- Horn
- Hourmeter

## OPTIONS & ACCESSORIES

- Rotating beacon
- Travel alarm
- Working light
- Electric socket in the platform
- Circuit-breaker
- Biodegradable hydraulic oil
- Auxiliary power in the platform for emergency descent
- Platform of 1,2 x 0,8 m (3 ft 11 in x 2 ft 7 in)



**Haulotte**   
GROUP